

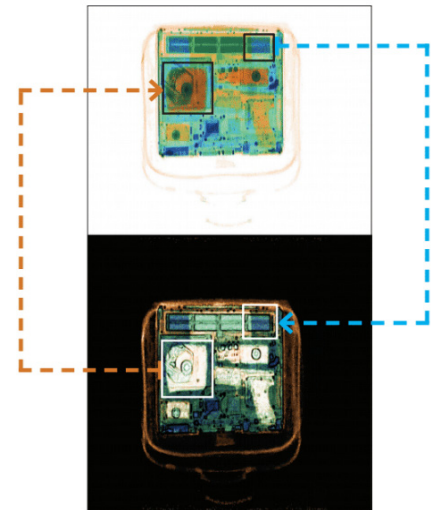
# 8880BZD X-RAY INSPECTION

Explosives, Weapons and Contraband



CROSS-ENHANCED BACKSCATTER, MULTI-ENERGY

X-RAY INSPECTION- *BACKSCATTER*



Cross-enhanced Backscatter and Multi-energy X-ray Technology:

**Inorganics** (steel, nickel-cadmium, copper) from the transmission image are cross-enhanced to the backscatter image.

**Organics** (plastics, explosives, narcotics, liquids) from the backscatter image are cross-enhanced to the transmission image.

Both images are presented on one monitor for easier viewing.

The precision of multi-energy backscatter X-ray technology, generous tunnel size, and a shorter footprint come together in the 8880BZD. Autoclear's unique single X-ray focal spot design creates identical pixel-for-pixel overlays of both backscatter and transmission images to produce better views of concealed objects, and display areas of concern in bright color. The 8880BZD scanner features a single generator. This approach is designed to lower operating and maintenance costs, reduce dose exposure, improve image analysis ergonomics, and reduce the system footprint.

- > Autoclear's **Eco-Dose** is the lowest radiation dosage in the industry
- > Creates images that no other machine can
- > Cross-enhancement makes it easier to identify potential threats such as explosives hidden behind batteries in a laptop computer
- > Both transmission and backscatter images appear on one monitor for easier viewing

## APPLICATIONS:

- > Military
- > Corrections
- > Corporate, Government, and Private Security
- > Customs and Border Inspection
- > VIP and Diplomatic Protection
- > Embassies and Consulates
- > High-Risk Events

# 8880BZD SPECIFICATIONS

## PHYSICAL DETAILS

Tunnel Size:	88.0 x 80.0 cm 34.6 x 31.5 in. (W x H)
Overall Dimensions:	168.0 x 156.0 x 171.0 cm 66.1 x 61.4 x 67.3 in. (L x W x H)
Weight:	830 kg (1,830 lbs.) Net weight 966 kg (2,130 lbs.) Shipping weight
Construction:	Unibody heavy gauge steel construction, epoxy painted; with stainless steel and aluminum trim and accessories; non-marking casters
Temperature:	Operating: 3° to 40° C (37° to 104° F) Storage: -48° to 60° C (-54° to 140° F)
Humidity:	20%-95%, non-condensing
System Power:	115/230 VAC +/- 10% 60/50 Hz 1.7 kVA max

## X-RAY GENERATOR

X-ray Tube Head:	Self-contained with sealed oil bath cooling
High Voltage Rating:	160 kV, operating at 160 kV
Duty Cycle:	100%
Dose per Exam:	<0.01mR; <i>other Autoclear models may be higher or lower due to differing combinations of kV level &amp; X-ray beam configuration</i>
Radiation Leakage:	<0.5mR/hr (<5.0µSv/hr); 0.1mR/hr (<1.0µSv/hr) available

## INSPECTION CAPABILITIES

Material (steel) Penetration:	26 mm guaranteed (28 mm typical)
Contrast Sensitivity:	Over 2 million color tones standard
Resolution (wire):	24 AWG guaranteed (26 AWG typical)
Conveyor Speed:	12.2 cm (4.8 in.) per second 7.3 m (24 ft.) per minute
Pulling Weight:	160 kg (352 lbs.)
Film Safety:	Guaranteed for high-speed film up to ISO 1600 (33 DIN)

## DETECTORS

High-speed, high sensitivity scintillator/PMT arrays for backscatter and transmission signal collection.

## VIDEO

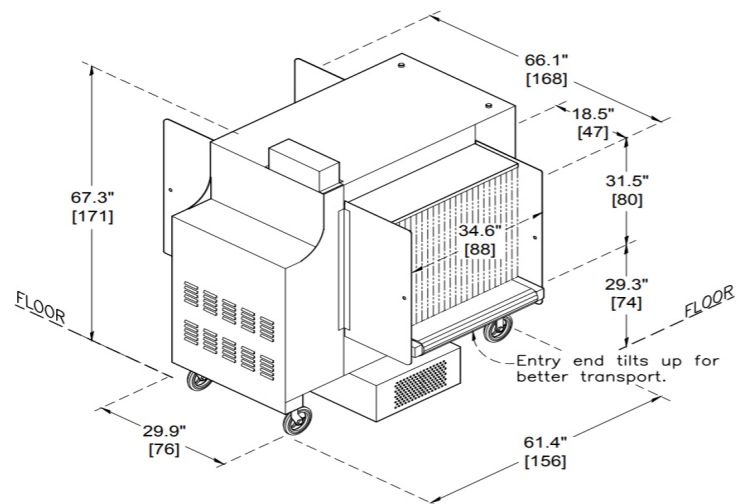
27" Color LCD monitor, up to 1920 x 1080 video card

## STANDARD FEATURES

- autoCal
- autoDensAlert
- autoImage recall (10 images)
- autoOutline
- autoScale
- autoSeasoning
- autoSensing
- autoSoft (LINUX) operating system
- autoTracking guided conveyor belt
- 128x Smart Zoom
- Adjustable zoom preview window
- Built-in folding conveyor extension and table
- Dark and light enhance
- Full-sized operator control panel (OCP) with touchpad navigation
- High/Low Density and Stripping
- Interactive help screens
- Organic / Inorganic Stripping
- RealClear
- Real-Time Diagnostics
- Reversible conveyor direction
- Save screen to USB
- Variable height keyboard mount
- Z-Scan

## OPTIONS

- autoMatAlert
- autoZ display
- Adjustable OCP side mount
- Built-in training
- CCE Full Screen Presentation
- CE/CSA/US safety/EMC certification
- Console desk
- Dual monitors
- DVD drive
- Footpad
- Image archiving (500K)
- Image export in BMP & JPG
- Item counter
- kV, mA meter
- Laser printer
- Loading or exit rollerbeds
- Locking metal OCP cover
- Motorized rollerbed conveyor
- Networking:
  - autoNet Live View
  - Remote Diagnostics
  - Remote Image Review
  - Remote Management
- Optical X-ray on/off sensor
- Sharp Scroll
- Tropical humidity kit
- Uninterruptible power supply
- User management
- X-ray image viewer software



Note: Non-marking casters.

Dimensions are in inches and centimeters.



World Headquarters  
10A Bloomfield Avenue  
Pine Brook, NJ 07058 USA

www.autoclear.com

Tel. +1 973.276.6000  
+1 973.276.6161  
Fax. +1 973.227.0832

info@autoclear.com

#### HEALTH & SAFETY

Compliant with US FDA, Chapter I: Department of Health and Human Services, Subchapter J: Radiological Health, Performance Standards for Ionizing Radiation Emitting Products: 21 CFR 1020.40 Cabinet X-ray Systems.

ISO 9001-2015 REGISTERED

2011-2020 © Autoclear, CheckGate®, Control Screening®, Dynavision®, Hand-Wand® and Scintrex® are among our many registered trademarks. All rights reserved. Autoclear reserves the right to update this information presented in this document at any time, without notice.

500M0033 - Spec. Sheet: 8880BZD - Rev. A - 02.05.2021