

# 6040DVS X-RAY INSPECTION

Explosives, Weapons and Contraband



SINGLE SOURCE, MULTI-ENERGY

X-RAY INSPECTION



The single-source, multi-energy 6040DVS X-ray inspection system is designed to screen small to mid-sized items for weapons, explosives, drugs and other contraband. The right size for scanning strollers, briefcases, backpacks, purses and other hand-carried items, this powerful scanner is small enough to fit in elevators, narrow halls and tight spaces. The user-friendly 6040DVS delivers best in-class speed and detection capability and makes the most of available space.

- > Rapidly images full mailbags and long or tall items
- > Fits in elevators, narrow halls and tight spaces
- > Patented guided conveyor belt never needs adjusting
- > Three generator power levels to choose from (see back for details)

## APPLICATIONS:

- > Passenger, Staff and Visitor Checkpoint Inspection
- > Corporate, Government and Private Security
- > Critical Infrastructure Security
- > Mail Screening

# 6040DVS SPECIFICATIONS

## PHYSICAL DETAILS

Tunnel Size:	62.0 x 42.0 cm 24.4 x 16.5 in. (W x H)
Overall Dimensions:	156.2 x 82.6 x 127.3 cm 61.5 x 32.5 x 50.1 in. (L x W x H)
Weight:	160 kV (standard): 353 kg (778 lbs.) Net weight 413 kg (911 lbs.) Shipping weight 150 kV (optional): 379 kg (836 lbs.) Net weight 455 kg (1,003 lbs.) Shipping weight 170 kV (optional): 477 kg (1,052 lbs.) Net weight 537 kg (1,184 lbs.) Shipping weight
Construction:	Robust heavy gauge, epoxy-painted, steel frame construction. Stainless steel and aluminum trim and accessories. Non-marking casters.
Temperature:	Operating: 0° to 40° C (32° to 104° F) Storage: -20° C to 60° C (-4° to 140° F)
Humidity:	20%-95%, non-condensing
System Power:	115/230 VAC +/- 10% 60/50 Hz 0.8 kVA max

## X-RAY GENERATOR

X-ray Tube Head:	Self-contained with sealed oil bath cooling
High Voltage Rating:	160 kV, operating at 140 kV (standard) 150 kV, operating at 150 kV (optional) 170 kV, operating at 170 kV (optional)
Duty Cycle:	100%
Beam Orientation:	Diagonal (80° beam divergence)
Dose per Exam:	<0.1mR; <i>May be higher or lower due to differing combinations of kV level &amp; X-ray beam configuration</i>
Radiation Leakage:	<0.5mR/hr (<5.0µSv/hr); <0.1mR/hr (<1.0µSv/hr) available

## INSPECTION CAPABILITIES

Material (steel) Penetration:	28 mm guaranteed (29 mm typical) for 160kV 30 mm guaranteed (32 mm typical) for 150kV option 36 mm guaranteed (38 mm typical) for 170kV option
Contrast Sensitivity:	Over 2 million color tones standard
Resolution (wire):	38 AWG guaranteed (40 AWG typical) for 160kV 40 AWG guaranteed (42 AWG typical) for 150kV option 40 AWG guaranteed (42 AWG typical) for 170kV option
Conveyor Speed:	24.0 cm (9.4 in.) per second 14.6 m (48 ft.) per minute
Pulling Weight:	160 kg (352 lbs.)
Film Safety:	Guaranteed for high-speed film up to ISO 1600 (33 DIN)

## DETECTORS

High-speed, ultra-sensitive photodiode detector array;  
L-shaped for 100% package screening

## VIDEO

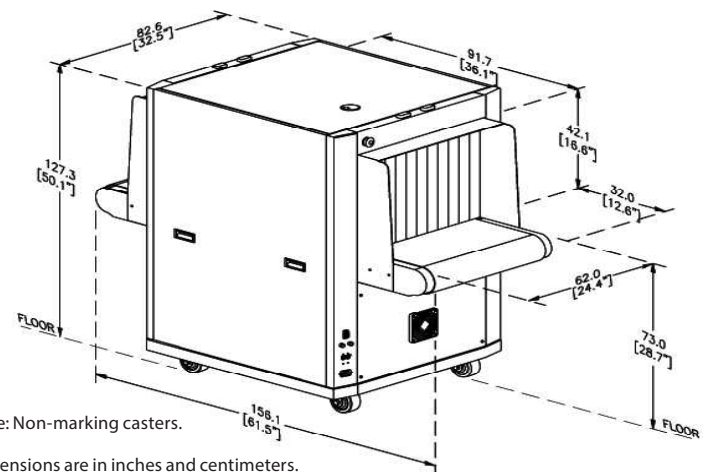
19" Color LCD monitor, 1280 x 1024 video card

## STANDARD FEATURES

- autoCal
- autoDensAlert
- autoImage recall (10 images)
- autoOutline
- autoScale
- autoSeasoning
- autoSensing
- autoSoft (LINUX) operating system
- autoTracking guided conveyor belt
- 128x Smart Zoom
- Adjustable zoom preview window
- Color; reverse B/W imaging
- Dark and light enhance
- D-SCAN
- Entrance tunnel extension
- Exit tunnel extension
- Full-sized operator control panel (OCP) with touchpad navigation
- High/Low Density and Stripping
- Interactive help screens
- Organic / Inorganic
- RealClear
- Real-Time Diagnostics
- Reversible conveyor direction
- Save screen to USB
- Z-SCAN

## OPTIONS

- autoMatAlert
- autoColor+
- autoZ display
- 150 kV generator, operating at 150 kV
- 170 kV generator, operating at 170 kV
- Built-in training
- CE/CSA/ETL compliance
- Console desk
- Conveyor Extensions
- Dual monitors
- DVD drive
- Footpad
- Image archiving (500K)
- Image export in BMP & JPG
- Inspection station
- Item counter
- kV, mA meter
- Larger monitors (at least: 24", HD flicker-free LCD; 1920x1080 res.)
- Laser printer
- Lighted E-Stops
- Loading or exit rollerbeds
- Locking metal OCP cover
- Locking monitor garage
- Optical X-ray on/off sensor
- Networking:
  - autoNet Live View
  - Remote Diagnostics
  - Remote Image Review
  - Remote Management
- Sharp Scroll
- Threat Image Projection (TIP)
- Tropical humidity kit
- Uninterruptible power supply
- Tunnel extensions
- User management
- Variable height OCP mount
- X-ray image viewer software



Note: Non-marking casters.

Dimensions are in inches and centimeters.

## HEALTH & SAFETY

Compliant with US FDA, Chapter I: Department of Health and Human Services, Subchapter J: Radiological Health, Performance Standards for Ionizing Radiation Emitting Products: 21 CFR 1020.40 Cabinet X-ray Systems.

ISO 9001-2015 REGISTERED

2011-2020 © Autoclear, CheckGate®, Control Screening®, Dynavision®, Hand-Wand® and Scintrex® are among our many registered trademarks. All rights reserved. Autoclear reserves the right to update this information presented in this document at any time, without notice.

500M0020 - Spec. Sheet: 6040DVS - Rev. E - 02.05.2021



World Headquarters  
10A Bloomfield Avenue  
Pine Brook, NJ 07058 USA

Tel. +1 973.276.6000  
+1 973.276.6161  
Fax. +1 973.227.0832

www.autoclear.com

info@autoclear.com