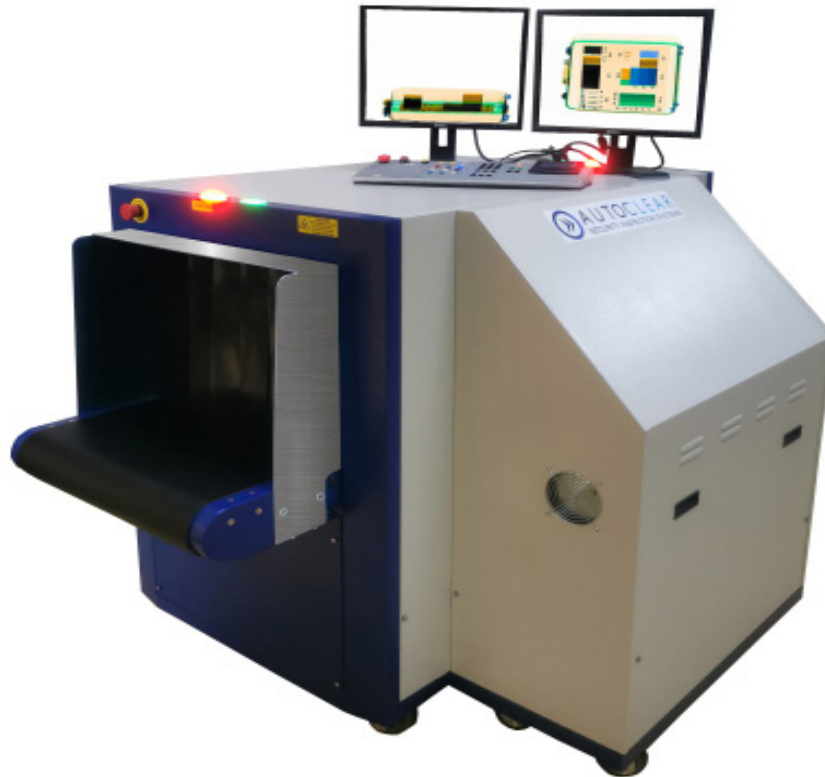


6040DVS-DV X-RAY INSPECTION

Explosives, Weapons and Contraband

DUAL SOURCE, MULTI-ENERGY

X-RAY INSPECTION - DUAL VIEW



The 6040DVS-DV multi-energy X-ray scanner delivers a clear picture of potentially hidden explosives, weapons, drugs and other contraband in hand-carried and small to mid-sized items. This dual-view system displays two separate, perpendicular X-ray images to provide a complete inspection in a single scan. Our autoSoft operating system (LINUX) gives a bold boost to our suite of image enhancement tools, allowing operators to more quickly and easily manipulate image data for the best possible picture of concealed threats.

- > Dual-view design provides more detailed information in one scan
- > Folded array rapidly images full mailbags and long or tall items
- > Fits in elevators, narrow halls and tight spaces
- > Built on the industry's most stable and flexible operating system

APPLICATIONS:

- > Cargo Screening
- > Passenger, Staff and Visitor Checkpoint Inspection
- > Corporate, Government and Private Security
- > Critical Infrastructure Security
- > Mail Screening

6040DVS-DV SPECIFICATIONS

PHYSICAL DETAILS

Tunnel Size:	62.0 x 42.0 cm 24.4 x 16.5 in. (W x H)
Overall Dimensions:	184.9 x 118.6 x 126.5 cm 72.8 x 46.7 x 49.8 in. (L x W x H)
Weight:	653 kg (1,078 lbs.) Net weight 713 kg (1,211 lbs.) Shipping weight
Construction:	Robust heavy gauge, epoxy-painted, steel frame construction. Stainless steel and aluminum trim and accessories. Non-marking casters.
Temperature:	Operating: 0° to 40° C (32° to 104° F) Storage: -20° C to 60° C (-4° to 140° F)
Humidity:	20%-95%, non-condensing
System Power:	115/230 VAC +/- 10% 60/50 Hz 1.0 kVA max

X-RAY GENERATOR

X-ray Tube Head:	Self-contained with sealed oil bath cooling
High Voltage Rating:	150 kV, operating at 150 kV
Duty Cycle:	100%
Beam Orientation:	View 1: diagonal view View 2: side view Both above: (80° beam angle)
Dose per Exam:	<0.1mR; <i>May be higher or lower due to differing combinations of kV level & X-ray beam configuration</i>
Radiation Leakage:	<0.5mR/hr (<5.0µSv/hr); <0.1mR/hr (<1.0µSv/hr) available

INSPECTION CAPABILITIES

Material Penetration (steel):	35 mm guaranteed (38 mm typical)
Contrast Sensitivity:	Over 2 million color tones standard
Resolution (wire):	39 AWG guaranteed (40 AWG typical)
Conveyor Speed:	24.0 cm (9.4 in.) per second 14.6 m (48 ft.) per minute
Pulling Weight:	160 kg (352 lbs.)
Film Safety:	Guaranteed for high-speed film up to ISO 1600 (33 DIN)

DETECTORS

High-speed, ultra-sensitive photodiode detector array;
L-shaped for 100% package screening

VIDEO

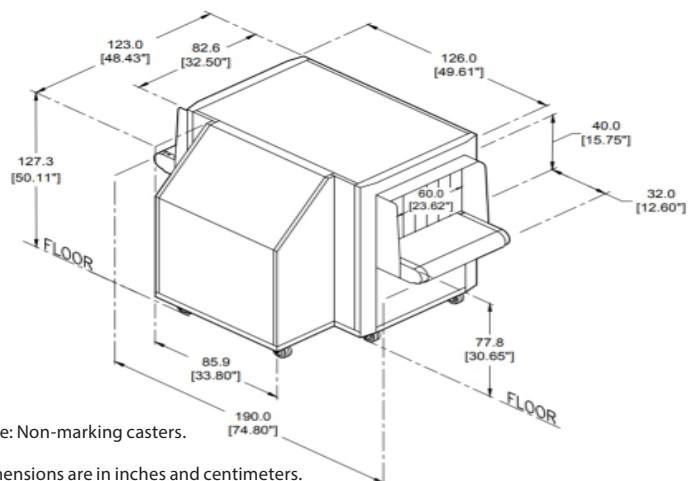
Two 19" Color LCD monitors, 1280 x 1024 video card

STANDARD FEATURES

- autoCal
- autoDensAlert
- autoImage recall (10 images)
- autoOutline
- autoScale
- autoSeasoning
- autoSensing
- autoSoft (LINUX) operating system
- autoTracking guided conveyor belt
- 128x Smart Zoom
- Adjustable zoom preview window
- Color; reverse B/W imaging
- Dark and light enhance
- D-SCAN
- Full-sized operator control panel (OCP) with touchpad navigation
- High/Low Density and Stripping
- Interactive help screens
- Organic / Inorganic
- RealClear
- Real-Time Diagnostics
- Reversible conveyor direction
- Save screen to USB
- Z-SCAN

OPTIONS

- autoArchive
- autoColor+
- autoMatAlert
- autoZ display
- Built-in training
- CE/CSA/US safety/EMC certification
- Console desk
- DVD drive
- Footpad
- Image archiving (500K)
- Image export in BMP & JPG
- Item counter
- kV, mA meter
- Larger monitors (at least: 24", HD flicker-free LCD; 1920x1080 res.)
- Laser printer
- Loading or exit rollerbeds
- Locking metal OCP cover
- Locking monitor garage
- Networking:
 - autoNet Live View
 - Remote Diagnostics
 - Remote Image Review
 - Remote Management
- Optical X-ray on/off sensor
- Power conditioner or UPS
- Remote Operation
- Sharp Scroll
- Threat Image Projection (TIP)
- Tropical humidity kit
- User management
- Variable height OCP mount
- X-ray Image Viewer Software



Note: Non-marking casters.

Dimensions are in inches and centimeters.



World Headquarters
10A Bloomfield Avenue
Pine Brook, NJ 07058 USA

Tel. +1 973.276.6000
+1 973.276.6161
Fax. +1 973.227.0832

www.autoclear.com

info@autoclear.com

HEALTH & SAFETY

Compliant with US FDA, Chapter I: Department of Health and Human Services, Subchapter J: Radiological Health, Performance Standards for Ionizing Radiation Emitting Products: 21 CFR 1020.40 Cabinet X-ray Systems.

ISO 9001-2015 REGISTERED

2011-2022 © Autoclear, CheckGate®, Control Screening®, Dynavision®, Hand-Wand® and Scintrex® are among our many registered trademarks. All rights reserved. Autoclear reserves the right to update this information presented in this document at any time, without notice.

500M0019 - Spec. Sheet: 6040DVS-DV - Rev. H - 02.08.2022