

# 100100B-DV X-RAY INSPECTION



Explosives, Weapons and Contraband

SINGLE SOURCE, MULTI-ENERGY

X-RAY INSPECTION



The versatile 100100B-DV is designed to screen for weapons, explosives, drugs and other contraband in objects that vary in size from hefty to hand-carried. Accommodating everything from large boxes, hold baggage, bulk deliveries and irregularly-shaped items to mail bins, strollers and briefcases, the 100100B-DV direct transmission, dual-view system displays two separate, perpendicular X-ray images to provide a complete inspection in a single scan.

- Built to inspect cargo, freight and oversized objects
- Heavy-duty conveyor never needs adjusting
- Multi-energy color marking highlights organic, inorganic and composite materials
- Perpendicular X-ray images enhance views of potential threats

#### APPLICATIONS:

- Cargo and Freight Screening
- Hold Baggage Inspection
- Customs and Border Inspection
- Passenger, Visitor and Delivery Checkpoints

# 100100B-DV SPECIFICATIONS

X-RAY INSPECTION

## PHYSICAL DETAILS

<b>Tunnel Size:</b>	100.0 x 100.0 cm 39.4 x 39.4 in. (W x H)
<b>Dimensions:</b>	317.0 x 163.0 x 194.0 cm 124.8 x 64.2 x 76.4 in. (L x W x H)
<b>Weight:</b>	950 kg (2,100 lbs.) uncrated 1,225 kg (2,700 lbs.) crated
<b>Construction:</b>	Unibody heavy gauge epoxy painted steel construction with stainless steel and aluminum trim and accessories; non-marking casters
<b>Temperature:</b>	0° to 40°C (32° to 104°F)
<b>Humidity:</b>	95%, non-condensing
<b>Storage:</b>	To 65°C (149°F)
<b>Power Consumption:</b>	< 0.7 kVA; < 13 amps 110 volts AC +10%; < 13 amps 200, 220, 240, 250 volts; all at 50 or 60 Hz

## X-RAY GENERATOR

<b>X-ray Tube Head:</b>	Self-contained, shielded tank
<b>High Voltage Rating:</b>	160 kV
<b>Duty Cycle:</b>	100% with sealed oil bath cooling
<b>Beam Orientation:</b>	Diagonal (80° beam divergence)
<b>Dose Per Exam:</b>	0.1 mR

## INSPECTION CAPABILITIES

<b>Material Penetration:</b>	28–29 mm (1.10–1.14 in.) steel
<b>Contrast Sensitivity:</b>	Over 2 million color tones standard
<b>Resolution:</b>	38–40 AWG wire
<b>Processing:</b>	32-bit adaptive image processing with minimum 1 Gbytes+ memory; 2.2GHz or 2.4 GHz+ dual core processor; video processing using next generation graphical processing unit architecture with 550MHz+ GPU clock, 512Mbyte+ video memory and 32+ stream processing cores

<b>Conveyor Speed:</b>	24.0 cm (9.4 in.) per second 14.6 m (48 ft.) per minute
<b>Pulling Weight:</b>	150 kg (331 lbs.)
<b>Film Safety:</b>	Guaranteed for high-speed film up to ISO 1600 (33 DIN)

## DETECTORS

L-shaped detector for 100% object screening  
Surface mounted, multilayer, fully integrated, high frequency solid state detectors using high speed processors and Pentium 4 image processing

## VIDEO

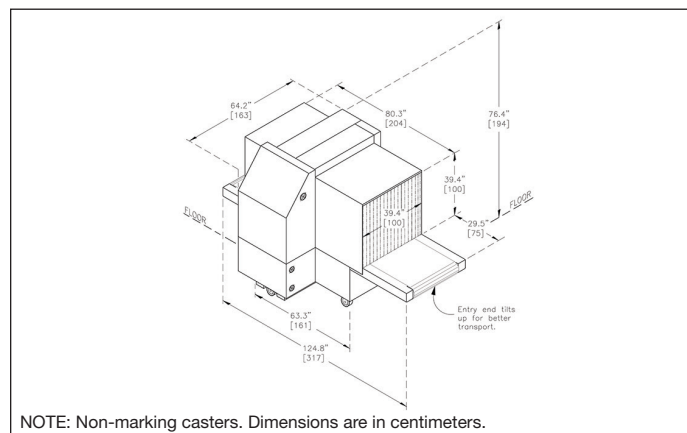
Two color 19" monitors, 1280 x 1024 video card

## STANDARD FEATURES

- autoSoft operating system
- Full-size operator control panel (OCP) with touchpad navigation
- autoTracking guided conveyor belt system
- Reversible conveyor direction
- High/low density and stripping
- Organic/inorganic stripping
- Color; reverse B/W imaging
- Interactive, user-friendly help screens
- 128x Smart Zoom
- D-SCAN
- Dark and light enhance
- autoImage recall (10 images)
- RealClear
- autoDensAlert
- autoOutline
- autoSensing
- Save screen to USB
- autoCal
- Z-SCAN
- Adjustable zoom preview window

## OPTIONS

- Loading or exit rollerbeds
- Tropical humidity kit
- Dual conveyor motors
- DVD drive
- autoMatAlert
- autoZ display
- Image archiving (500K)
- Threat image projection (TIP)
- Built-in training
- Level 1, 2 and 3 networking
- Item counter
- STI Viewer software for archived image analysis
- User management
- Locking metal OCP cover
- Locking monitor garage
- Laser printer
- Console desk
- kV, mA meter
- Power conditioner, or UPS
- Optical X-ray on/off sensor
- Footpad
- autoArchive
- Remote operation



World Headquarters  
10A Bloomfield Avenue  
Pine Brook, NJ 07058 USA

Tel. 1 973.276.6000  
1 973.276.6161  
Fax. 1 973.227.0832  
info@autoclear.com

ISO 9001-2015 REGISTERED

© 2011-2019 Autoclear. CheckGate®, Control Screening®, Dynavision®, HandWand® and Scintrex® are among our many registered trademarks. All rights reserved. Autoclear reserves the right to update this information presented in this document at any time, without notice.